

## AGSS PLANT - BRITISH STANDARD



### DESCRIPTION

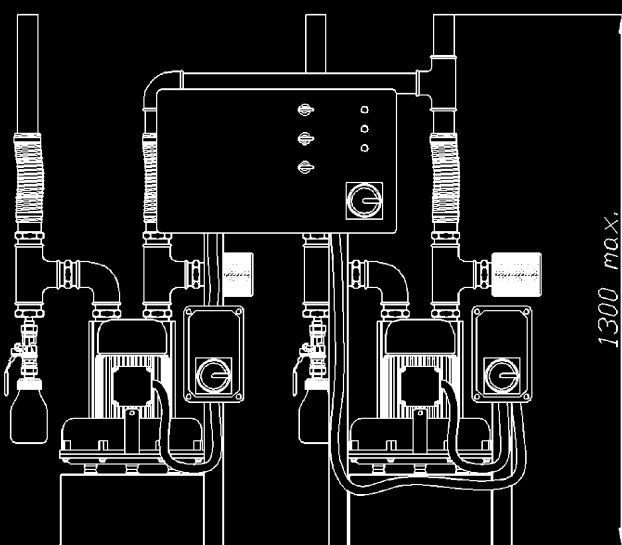
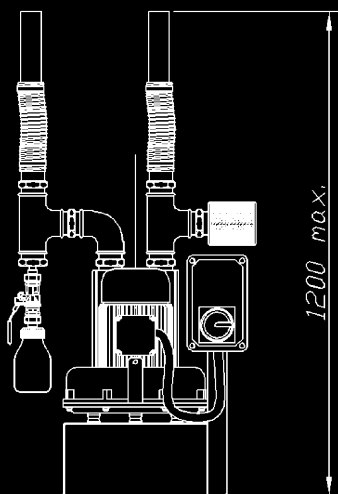
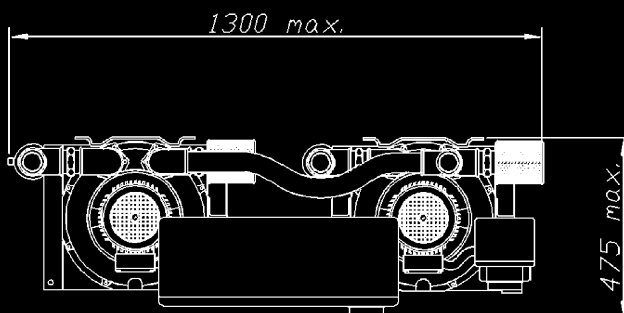
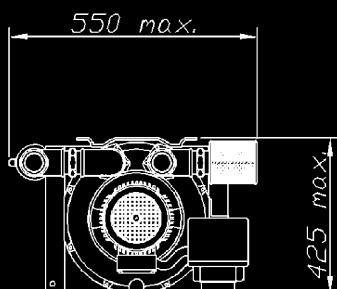
The PRECISION CPX AGSS Plant provides a centralized or dedicated source for the safe removal of exhaled anaesthetic gases from within the theatre, available in simplex and duplex pump configurations dependant on individual requirement.

### Specific Benefits Include:

- Fully complies to HTM2022, HTM02-01, C11 BS EN 737
- CPX® Branded Solid British design
- Control and highly visible indication panel
- All interconnecting pipework is included
- Copper stubbed Outlet and Inlet pipework for ease of connecting to MGPS
- Anti vibration mounts on all pumps
- Isolator to each pump unit as standard
- Alarm and BMS outputs for remote status indication
- Pre set vacuum relief valve and low pressure sensors
- Visible condensate drain flask fitted to exhaust
- Easy to install 4 wire + Earth remote wiring
- All settings are factory set and verified with Certificates of Inspection
- Each plant has a full warranty of 12 months from its commission date
- All plant is manufactured under strict Quality Control procedures to ISO 9001:2000



## SIMPLEX AND DUPLEX MODELS



### Service and Maintenance

Throughout the UK and worldwide our approved team of service and maintenance engineers provide immediate technical support.